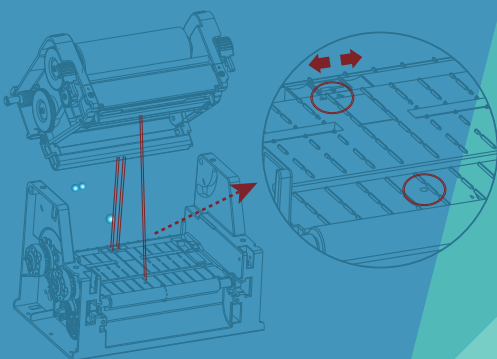


iT4S

Standard thermal transfer / direct thermal dual-use desktop barcode printer with 300-meter ribbon supported



- Standard thermal transfer / direct thermal dual-use desktop barcode printer with 300-meter ribbon supported
- The modular design of print head makes the disassembly and assembly easy.
- With the function to automatically identify the printer head with 203dpi and 300dpi and automatically configure the printer without PC settings
- With super large storage, DDR2 RAM 128MB, Flash 8GB
- With free label editing software Bartender to make the label editing convenient and easy
- With various media to meet the demand of wide area
- Refined white housing with printer mechanism, stable and durable



Model		IT4S
Print spec	Printing Method	Direct thermal/Thermal transfer
	Resolution	203 dpi / 300 dpi
	Printing Speed	5 ips(203 dpi) / 4 ips(300 dpi)
	Max.Printing Width	108 mm(203 dpi) / 106 mm(300 dpi)
	Printing Length	2286 mm(203 dpi) / 1524 mm(300 dpi)
	Protocol	Compatible ZPL-II, EPL2, DPL
Media	Width	25.4 mm ~ 118 mm
	Thickness	60 μm ~ 250 μm
	Roll	127 mm
Ribbon spec	Type	Wax, Wax/Resin, Resin
	Width	30 mm ~ 110 mm
	Inradius	25.4 mm
	Max.Length	300 m
Font	Resident Fonts	Alphanumeric, simplified Chinese, traditional Chinese, Japanese, Korean, 29 international character sets
	Download Fonts	Support
Barcode	Linear:	UPC-A, UPC-E, EAN128, Codabar, CODE128, CODE39, CODE93, EAN-8, EAN-13, UCC/EAN128, POSTNET, ITF14, HIBC, MSI, Plessey, Telepen, FIM, GS1 DataBar, German Post Code, Planet 11 & 13, Japanese Postnet, Interleaved 2 of 5, Standard 2 of 5, Industrial 2 of 5, Logmars, CODE11
	2D:	CODE49, CODABLOCK, PDF417, Data Matrix, Maxicode, QR Code, MicroPDF471, Aztec
Sensor	Gap Sensor	Forward and backward transmission, center
	Black mark Sensor	Reflective (Adjustable, Full-Range)
	Other	Paper Out Detect, Ribbon End Detect, Print Frame Open Detect, TPH Over Heating Detect
Interfaces	Standard	USB Type B
	Optional	Wi-Fi and Bluetooth
Cutter	Model	Optional White T4GC External Cutter
	Type	Guillotine Cutter
	Method	Full Cut
Memory	RAM	128 MB
	Flash	8 GB
Electrical	Input	AC 100~240 V, 50/60 Hz
	Output	DC 24 V, 2A
Environmental	Memory	5°C ~ 50°C, humidity 25% ~ 85%, non-condensing
	Operation	-40°C ~ 60°C, humidity 10% ~ 90%, non-condensing
Software	Driver	Windows 7/8/8.1/10, Windows Server 2008/2012/2016, Linux, MacOS BarTender 2016 UltraLite
	Label Design Software	White T4P External label Peeler Module, White T4GC External Cutter
Options & Accessory		Module, External Label Roll Holder
Dimension (L×W×H, mm)		308×250×180
Weight (Kg)		2.9
Agency Approval		CE EMC(EN 55022 Class B), FCC EMC(Class A), CCC, RoHS

IDPRT Xiamen Hanin Electronic Technology Co.,Ltd.

ADD: 5F, 10# Building, Gaoqi South 12 Road, Aide Industrial Park, Huli District, Xiamen, P.R China

TEL: +86-(0)592-5932525 FAX: +86-(0)592-5885992

WEB: www.idprt.com EMAIL: info@idprt.com

